

CONSOLIDATED VERSION

VERSION CONSOLIDÉE



GROUP SAFETY PUBLICATION
PUBLICATION GROUPEE DE SÉCURITÉ

**Tests on electric and optical fibre cables under fire conditions –
Part 1-3: Test for vertical flame propagation for a single insulated wire or cable –
Procedure for determination of flaming droplets/particles**

**Essais des câbles électriques et à fibres optiques soumis au feu –
Partie 1-3: Essai de propagation verticale de la flamme sur conducteur ou câble
isolé – Procédure pour la détermination des particules/gouttelettes enflammées**



THIS PUBLICATION IS COPYRIGHT PROTECTED

Copyright © 2015 IEC, Geneva, Switzerland

All rights reserved. Unless otherwise specified, no part of this publication may be reproduced or utilized in any form or by any means, electronic or mechanical, including photocopying and microfilm, without permission in writing from either IEC or IEC's member National Committee in the country of the requester. If you have any questions about IEC copyright or have an enquiry about obtaining additional rights to this publication, please contact the address below or your local IEC member National Committee for further information.

Droits de reproduction réservés. Sauf indication contraire, aucune partie de cette publication ne peut être reproduite ni utilisée sous quelque forme que ce soit et par aucun procédé, électronique ou mécanique, y compris la photocopie et les microfilms, sans l'accord écrit de l'IEC ou du Comité national de l'IEC du pays du demandeur. Si vous avez des questions sur le copyright de l'IEC ou si vous désirez obtenir des droits supplémentaires sur cette publication, utilisez les coordonnées ci-après ou contactez le Comité national de l'IEC de votre pays de résidence.

IEC Central Office
3, rue de Varembe
CH-1211 Geneva 20
Switzerland

Tel.: +41 22 919 02 11
Fax: +41 22 919 03 00
info@iec.ch
www.iec.ch

About the IEC

The International Electrotechnical Commission (IEC) is the leading global organization that prepares and publishes International Standards for all electrical, electronic and related technologies.

About IEC publications

The technical content of IEC publications is kept under constant review by the IEC. Please make sure that you have the latest edition, a corrigenda or an amendment might have been published.

IEC Catalogue - webstore.iec.ch/catalogue

The stand-alone application for consulting the entire bibliographical information on IEC International Standards, Technical Specifications, Technical Reports and other documents. Available for PC, Mac OS, Android Tablets and iPad.

IEC publications search - www.iec.ch/searchpub

The advanced search enables to find IEC publications by a variety of criteria (reference number, text, technical committee,...). It also gives information on projects, replaced and withdrawn publications.

IEC Just Published - webstore.iec.ch/justpublished

Stay up to date on all new IEC publications. Just Published details all new publications released. Available online and also once a month by email.

Electropedia - www.electropedia.org

The world's leading online dictionary of electronic and electrical terms containing more than 30 000 terms and definitions in English and French, with equivalent terms in 15 additional languages. Also known as the International Electrotechnical Vocabulary (IEV) online.

IEC Glossary - std.iec.ch/glossary

More than 60 000 electrotechnical terminology entries in English and French extracted from the Terms and Definitions clause of IEC publications issued since 2002. Some entries have been collected from earlier publications of IEC TC 37, 77, 86 and CISPR.

IEC Customer Service Centre - webstore.iec.ch/csc

If you wish to give us your feedback on this publication or need further assistance, please contact the Customer Service Centre: csc@iec.ch.

A propos de l'IEC

La Commission Electrotechnique Internationale (IEC) est la première organisation mondiale qui élabore et publie des Normes internationales pour tout ce qui a trait à l'électricité, à l'électronique et aux technologies apparentées.

A propos des publications IEC

Le contenu technique des publications IEC est constamment revu. Veuillez vous assurer que vous possédez l'édition la plus récente, un corrigendum ou amendement peut avoir été publié.

Catalogue IEC - webstore.iec.ch/catalogue

Application autonome pour consulter tous les renseignements bibliographiques sur les Normes internationales, Spécifications techniques, Rapports techniques et autres documents de l'IEC. Disponible pour PC, Mac OS, tablettes Android et iPad.

Recherche de publications IEC - www.iec.ch/searchpub

La recherche avancée permet de trouver des publications IEC en utilisant différents critères (numéro de référence, texte, comité d'études,...). Elle donne aussi des informations sur les projets et les publications remplacées ou retirées.

IEC Just Published - webstore.iec.ch/justpublished

Restez informé sur les nouvelles publications IEC. Just Published détaille les nouvelles publications parues. Disponible en ligne et aussi une fois par mois par email.

Electropedia - www.electropedia.org

Le premier dictionnaire en ligne de termes électroniques et électriques. Il contient plus de 30 000 termes et définitions en anglais et en français, ainsi que les termes équivalents dans 15 langues additionnelles. Egalement appelé Vocabulaire Electrotechnique International (IEV) en ligne.

Glossaire IEC - std.iec.ch/glossary

Plus de 60 000 entrées terminologiques électrotechniques, en anglais et en français, extraites des articles Termes et Définitions des publications IEC parues depuis 2002. Plus certaines entrées antérieures extraites des publications des CE 37, 77, 86 et CISPR de l'IEC.

Service Clients - webstore.iec.ch/csc

Si vous désirez nous donner des commentaires sur cette publication ou si vous avez des questions contactez-nous: csc@iec.ch.

CONSOLIDATED VERSION

VERSION CONSOLIDÉE



GROUP SAFETY PUBLICATION
PUBLICATION GROUPEE DE SÉCURITÉ

**Tests on electric and optical fibre cables under fire conditions –
Part 1-3: Test for vertical flame propagation for a single insulated wire or cable –
Procedure for determination of flaming droplets/particles**

**Essais des câbles électriques et à fibres optiques soumis au feu –
Partie 1-3: Essai de propagation verticale de la flamme sur conducteur ou câble
isolé – Procédure pour la détermination des particules/gouttelettes enflammées**

INTERNATIONAL
ELECTROTECHNICAL
COMMISSION

COMMISSION
ELECTROTECHNIQUE
INTERNATIONALE

ICS 13.220.40; 29.020; 29.060.20

ISBN 978-2-8322-2832-6

**Warning! Make sure that you obtained this publication from an authorized distributor.
Attention! Veuillez vous assurer que vous avez obtenu cette publication via un distributeur agréé.**

REDLINE VERSION

VERSION REDLINE



GROUP SAFETY PUBLICATION
PUBLICATION GROUPEE DE SÉCURITÉ

**Tests on electric and optical fibre cables under fire conditions –
Part 1-3: Test for vertical flame propagation for a single insulated wire or cable –
Procedure for determination of flaming droplets/particles**

**Essais des câbles électriques et à fibres optiques soumis au feu –
Partie 1-3: Essai de propagation verticale de la flamme sur conducteur ou câble
isolé – Procédure pour la détermination des particules/gouttelettes enflammées**

CONTENTS

FOREWORD.....	3
1 Scope.....	5
2 Normative references.....	5
3 Terms and definitions	5
4 Test apparatus	6
4.1 General	6
4.2 Ignition source.....	6
4.3 Filter paper.....	6
5 Procedure.....	6
5.1 Sample.....	6
5.2 Conditioning	6
5.3 Positioning of test piece and filter paper	6
5.4 Flame application	7
6 Evaluation of test results.....	8
Annex A (informative) Recommended performance requirements	12
Bibliography	13
Figure 1 – Arrangement of test piece in test apparatus	9
Figure 2 – Application of flame to test piece	11
Table 1 – Time for flame application.....	8

INTERNATIONAL ELECTROTECHNICAL COMMISSION

TESTS ON ELECTRIC AND OPTICAL FIBRE CABLES UNDER FIRE CONDITIONS –

Part 1-3: Test for vertical flame propagation for a single insulated wire or cable – Procedure for determination of flaming droplets/particles

FOREWORD

- 1) The International Electrotechnical Commission (IEC) is a worldwide organization for standardization comprising all national electrotechnical committees (IEC National Committees). The object of IEC is to promote international co-operation on all questions concerning standardization in the electrical and electronic fields. To this end and in addition to other activities, IEC publishes International Standards, Technical Specifications, Technical Reports, Publicly Available Specifications (PAS) and Guides (hereafter referred to as "IEC Publication(s)"). Their preparation is entrusted to technical committees; any IEC National Committee interested in the subject dealt with may participate in this preparatory work. International, governmental and non-governmental organizations liaising with the IEC also participate in this preparation. IEC collaborates closely with the International Organization for Standardization (ISO) in accordance with conditions determined by agreement between the two organizations.
- 2) The formal decisions or agreements of IEC on technical matters express, as nearly as possible, an international consensus of opinion on the relevant subjects since each technical committee has representation from all interested IEC National Committees.
- 3) IEC Publications have the form of recommendations for international use and are accepted by IEC National Committees in that sense. While all reasonable efforts are made to ensure that the technical content of IEC Publications is accurate, IEC cannot be held responsible for the way in which they are used or for any misinterpretation by any end user.
- 4) In order to promote international uniformity, IEC National Committees undertake to apply IEC Publications transparently to the maximum extent possible in their national and regional publications. Any divergence between any IEC Publication and the corresponding national or regional publication shall be clearly indicated in the latter.
- 5) IEC provides no marking procedure to indicate its approval and cannot be rendered responsible for any equipment declared to be in conformity with an IEC Publication.
- 6) All users should ensure that they have the latest edition of this publication.
- 7) No liability shall attach to IEC or its directors, employees, servants or agents including individual experts and members of its technical committees and IEC National Committees for any personal injury, property damage or other damage of any nature whatsoever, whether direct or indirect, or for costs (including legal fees) and expenses arising out of the publication, use of, or reliance upon, this IEC Publication or any other IEC Publications.
- 8) Attention is drawn to the Normative references cited in this publication. Use of the referenced publications is indispensable for the correct application of this publication.
- 9) Attention is drawn to the possibility that some of the elements of this IEC Publication may be the subject of patent rights. IEC shall not be held responsible for identifying any or all such patent rights.

DISCLAIMER

This Consolidated version is not an official IEC Standard and has been prepared for user convenience. Only the current versions of the standard and its amendment(s) are to be considered the official documents.

This Consolidated version of IEC 60332-1-3 bears the edition number 1.1. It consists of the first edition (2004-07) [documents 20/698/FDIS and 20/712/RVD] and its amendment 1 (2015-07) [documents 20/1592/FDIS and 20/1599/RVD]. The technical content is identical to the base edition and its amendment.

In this Redline version, a vertical line in the margin shows where the technical content is modified by amendment 1. Additions and deletions are displayed in red, with deletions being struck through. A separate Final version with all changes accepted is available in this publication.

International Standard IEC 60332-1-3 has been prepared by IEC technical committee 20:Electric cables.

It has the status of a group safety publication in accordance with IEC Guide 104.

This publication has been drafted in accordance with the ISO/IEC Directives, Part 2.

IEC 60332 consists of the following parts, under the general title *Tests on electric and optical fibre cables under fire conditions*:

Part 1-1: Test for vertical flame propagation for a single insulated wire or cable – Apparatus

Part 1-2: Test for vertical flame propagation for a single insulated wire or cable – Procedure for 1kW pre-mixed flame

Part 1-3: Test for vertical flame propagation for a single insulated wire or cable – Procedure for determination of flaming droplets/particles

Part 2-1: Test for vertical flame propagation for a single small insulated wire or cable – Apparatus

Part 2-2: Test for vertical flame propagation for a single small insulated wire or cable - Procedure for diffusion flame

The committee has decided that the contents of the base publication and its amendment will remain unchanged until the stability date indicated on the IEC web site under "<http://webstore.iec.ch>" in the data related to the specific publication. At this date, the publication will be

- reconfirmed,
- withdrawn,
- replaced by a revised edition, or
- amended.

IMPORTANT – The 'colour inside' logo on the cover page of this publication indicates that it contains colours which are considered to be useful for the correct understanding of its contents. Users should therefore print this document using a colour printer.

TESTS ON ELECTRIC AND OPTICAL FIBRE CABLES UNDER FIRE CONDITIONS –

Part 1-3: Test for vertical flame propagation for a single insulated wire or cable – Procedure for determination of flaming droplets/particles

1 Scope

This part of IEC 60332 specifies a test procedure for assessment of falling flaming droplets/particles when a single vertical electrical insulated conductor or cable, or optical fibre cable, is subjected to defined fire conditions.

NOTE 1 Testing to IEC 60332-1-3 may be performed simultaneously with that to IEC 60332-1-2, if required.

Recommended requirements for performance are given in Annex A.

IEC 60332-1-3 specifies the use of a 1 kW pre-mixed flame and is for general use, except that the procedure specified may not be suitable for the testing of small single insulated conductors or cables of less than 0,5 mm² total cross-section because the conductor melts before the test is completed, or for the testing of small optical fibre cables because the cable is broken before the test is completed.

2 Normative references

The following referenced documents are indispensable for the application of this document. For dated references, only the edition cited applies. For undated references, the latest edition of the referenced document (including any amendments) applies.

IEC 60332-1-1, *Tests on electric and optical fibre cables under fire conditions – Part 1-1: Test for vertical flame propagation for a single insulated wire or cable – Apparatus*

~~IEC 60811-203, *Electric and optical fibre cables – Test methods for non-metallic materials – Part 203: General tests – Measurement of overall dimensions*~~

IEC Guide 104, *The preparation of safety publications and the use of basic safety publications and group safety publications*

~~ISO 187, *Paper, board and pulps – Standard atmosphere for conditioning and testing and procedure for monitoring the atmosphere and conditioning of samples*~~

3 Terms and definitions

For the purposes of this document, the following terms and definitions, apply. Some definitions are taken from IEC 60695-4.

3.1

ignition source

source of energy that initiates combustion

~~[IEC 60695-4:1993, definition 2.76~~ SOURCE: ISO 13943:2008, 1.489]

3.2

flaming debris

matter flowing or separating from the specimen during the test procedure and falling below the initial lower edge of the specimen, continuing to flame as it falls, and igniting the filter paper beneath

4 Test apparatus

4.1 General

The apparatus specified in IEC 60332-1-1 shall be used.

4.2 Ignition source

The ignition source shall comply with ~~4.3 of~~ IEC 60332-1-1.

4.3 Filter paper

The filter paper shall consist of undyed cellulose filter paper of a density of (80 ± 15) g/m² with an ash content of less than 0,1 %. The filter paper shall be conditioned ~~in accordance with ISO 187~~ at (23 ± 2) °C for not less than 4 h at a relative humidity of (50 ± 10) %.

5 Procedure

5.1 Sample

The test sample shall be a piece of insulated conductor or cable (600 ± 25) mm long.

The test sample diameter shall be measured using the method given in IEC 60811-203. The measurement shall be made at each of three places, separated by at least 100 mm.

The average of the three values obtained shall be rounded to obtain the overall diameter. If the calculation gives 5 or more for the second decimal figure, raise the first to the next number; thus, for example, 5,75 is rounded to 5,8. If the calculation gives 4 or less for the second decimal figure, maintain the first number; thus, for example, 5,74 is rounded to 5,7.

The overall diameter obtained shall be used for the selection of the time for flame application.

5.2 Conditioning

Before testing, all test pieces shall be conditioned at (23 ± 5) °C for not less than 16 h at a relative humidity of (50 ± 20) %.

In the case of an insulated conductor or cable with a finish of paint or lacquer, this conditioning shall follow an initial period where the test piece shall be kept at a temperature of (60 ± 2) °C for 4 h.

5.3 Positioning of test piece ~~and filter paper~~

The test piece shall be straightened and secured to two horizontal supports by means of a suitable size of copper wire, in a vertical position in the centre of the metal ~~screen enclosure~~, as described in ~~4.2 of~~ IEC 60332-1-1, so that the distance between the bottom of the upper support and the top of the lower support is (550 ± 5) mm. In addition, the test piece shall be positioned so that the bottom of the specimen is approximately 50 mm from the base of the ~~screen enclosure~~ (see Figure 1).

The vertical axis of the test piece shall be arranged centrally within the ~~screen enclosure~~ (i.e. 150 mm from each side and 225 mm from the rear).

Two pieces of filter paper (300 ±10) mm × (300 ±10) mm shall be placed flat, one on top of the other, on the base of the ~~metallic screen metal enclosure~~, no more than 3 min before the start of the test. The filter papers shall be positioned centrally beneath the test piece.

5.4 Flame application

Safety warning

Precautions shall be taken to safeguard personnel against the following when conducting tests:

- a) the risk of fire or explosion;
- b) the inhalation of smoke and/or noxious products, particularly when halogenated materials are burned;
- c) harmful residues.

5.4.1 Positioning of flame

~~One calibrated A burner, as described in 4.3 of IEC 60332-1-1, shall be ignited and the recommended flow rates of gas and air adjusted to the specified values.~~ The burner shall be positioned so that the tip of the ~~inner~~ blue cone impinges on the surface of the test piece at a distance of (475 ± 5) mm from the lower edge of the upper horizontal support, whilst the burner is at an angle of (45 ± 2°) to the vertical axis of the test piece (see Figure 2). ~~The burner position shall be fixed throughout the flame application time.~~

For flat-form cables, the flame impingement shall be on the middle of the flat side of the cable.

~~In case of an electrical insulated conductor or cable, should the test piece move significantly during the test so as to render the result invalid, the test piece shall be held straight by the attachment of a load of approximately 5 N/mm² of conductor area to the lower part of the sample so that the distance between the point where the load is attached and the lower edge of the top support measures (550 ± 5) mm. In such cases, the test piece shall not be secured to the lower support.~~

5.4.2 Test duration

The flame shall be applied continuously for the period of time corresponding to the diameter shown in Table 1.

Table 1 – Time for flame application

Overall diameter of test piece ^a mm	Time for flame application ^b s
$D \leq 25$	60 ± 2
$25 < D \leq 50$	120 ± 2
$50 < D \leq 75$	240 ± 2
$D > 75$	480 ± 2
<p>^a Where non-circular cables (for example, flat form constructions) are to be tested, the circumference shall be measured and used to calculate an equivalent diameter, as if the cable were circular. For non-circular cables in which the major to minor axis ratio is less than 3, the nominal minor axis shall be used as the overall diameter (D). For non-circular cables in which the major to minor axis ratio lies between 3 and 16, the overall diameter (D) shall be taken as the sum of the major and minor axis divided by 3,14 (π). For cables in which the major to minor axis ratio exceeds 16, the test criteria shall be given in the product standard or, if not, agreed between manufacturer and purchaser.</p> <p>^b For flat cables having a ratio of major to minor axis greater than 17:1, the flame application time remains under consideration.</p>	

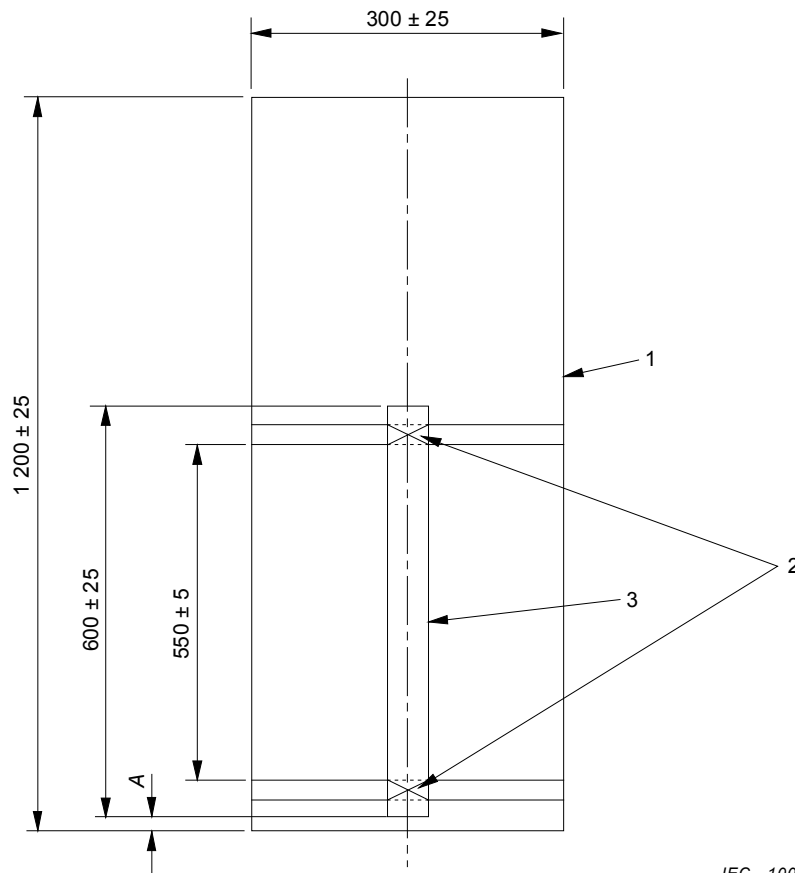
At the end of the specified ~~test duration~~ **flame application time**, the burner shall be removed and the flame of the burner extinguished.

6 Evaluation of test results

During the test duration, it shall be recorded:

- a) if the filter paper has ignited or not;
- b) if the filter paper has ignited, the time from ignition of the filter paper to cessation of the burning.

Dimensions in millimetres



IEC 1000/04

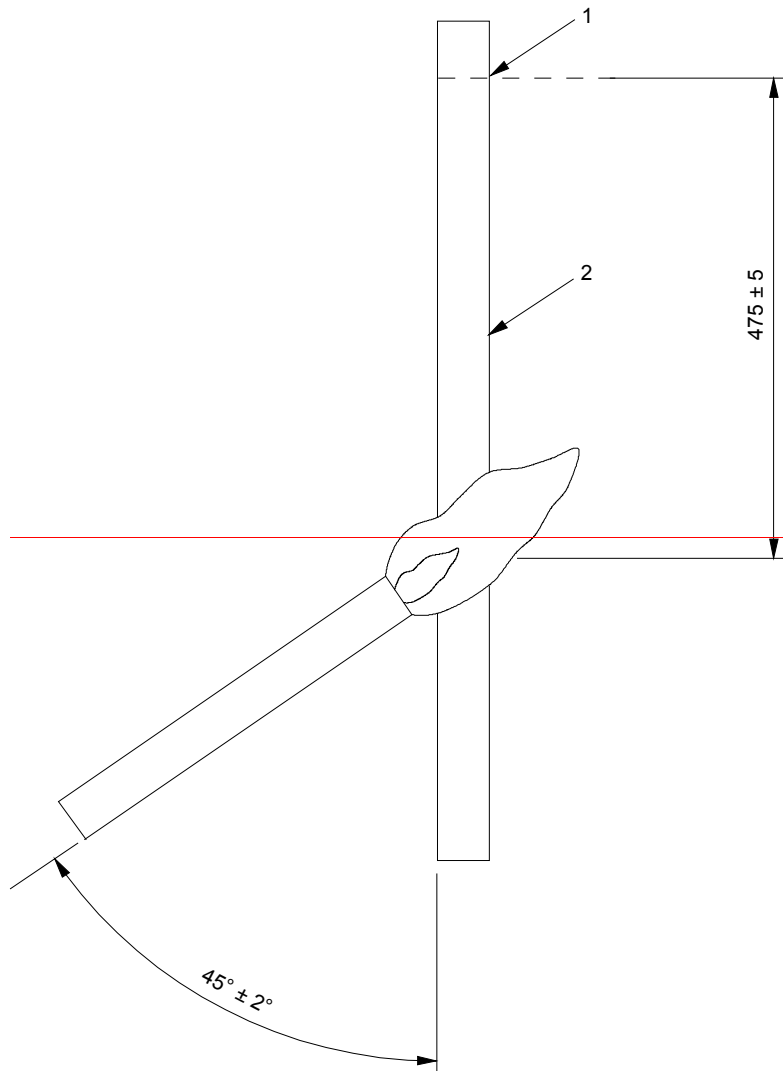
Key

- 1 ~~metallic-screen~~ metal enclosure
- 2 support arm and copper wire fixing
- 3 test piece

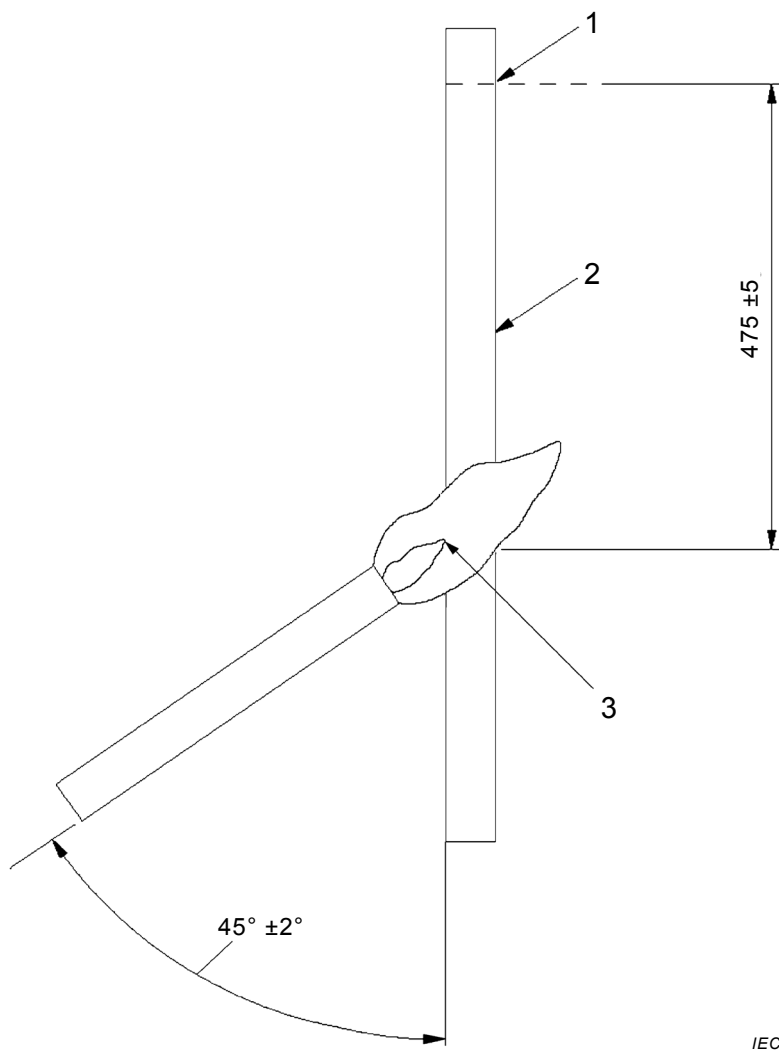
Distance A: Length from base of ~~screen~~ enclosure to bottom of ~~sample~~ test piece = 50 mm (approximately)

Figure 1 – Arrangement of test piece in test apparatus

Dimensions in millimetres



Dimensions in millimetres



IEC

Key

- 1 lower edge of top support
- 2 test piece
- 3 position of impingement of blue cone

Figure 2 – Application of flame to test piece

Annex A
(informative)

Recommended performance requirements

The performance requirements for a particular type or class of insulated conductor or cable should preferably be given in the individual cable standard. In the absence of any given requirement, it is recommended that those given below should be taken as a minimum acceptable level.

The insulated conductor or cable shall pass the test if the filter paper has not ignited during the test duration.

If a failure is recorded two more tests shall be carried out. If both tests result in passes, the insulated conductor or cable shall be deemed to have passed the test.

Bibliography

IEC 60332-1-2, *Tests on electric and optical fibre cables under fire conditions – Part 1-2: Test for vertical flame propagation for a single insulated wire or cable – Procedure for 1 kW pre-mixed flame*

IEC 60695-4, *Fire hazard testing – Part 4: Terminology concerning fire tests for electrotechnical products*

ISO 13943, *Fire safety – Vocabulary*

SOMMAIRE

AVANT-PROPOS	15
1 Domaine d'application	17
2 Références normatives	17
3 Termes et définitions	17
4 Appareillage d'essai	18
4.1 Généralités	18
4.2 Source d'allumage	18
4.3 Papier filtre	18
5 Procédure	18
5.1 Eprouvette d'essai	18
5.2 Conditionnement	18
5.3 Disposition de l'éprouvette et du papier filtre	18
5.4 Application de la flamme	19
6 Evaluation des résultats d'essai	20
Annexe A (informative) Recommandations pour les prescriptions de performance	24
Bibliographie	25
Figure 1 – Position de l'éprouvette dans l'appareil d'essai	21
Figure 2 – Application de la flamme sur l'éprouvette	23
Tableau 1 – Durée d'application de la flamme	20

COMMISSION ÉLECTROTECHNIQUE INTERNATIONALE

**ESSAIS DES CÂBLES ÉLECTRIQUES ET À FIBRES OPTIQUES
SOU MIS AU FEU –**

**Partie 1-3: Essai de propagation verticale de la flamme
sur conducteur ou câble isolé –
Procédure pour la détermination des particules/gouttelettes enflammées**

AVANT-PROPOS

- 1) La Commission Electrotechnique Internationale (IEC) est une organisation mondiale de normalisation composée de l'ensemble des comités électrotechniques nationaux (Comités nationaux de l'IEC). L'IEC a pour objet de favoriser la coopération internationale pour toutes les questions de normalisation dans les domaines de l'électricité et de l'électronique. A cet effet, l'IEC – entre autres activités – publie des Normes internationales, des Spécifications techniques, des Rapports techniques, des Spécifications accessibles au public (PAS) et des Guides (ci-après dénommés "Publication(s) de l'IEC"). Leur élaboration est confiée à des comités d'études, aux travaux desquels tout Comité national intéressé par le sujet traité peut participer. Les organisations internationales, gouvernementales et non gouvernementales, en liaison avec l'IEC, participent également aux travaux. L'IEC collabore étroitement avec l'Organisation Internationale de Normalisation (ISO), selon des conditions fixées par accord entre les deux organisations.
- 2) Les décisions ou accords officiels de l'IEC concernant les questions techniques représentent, dans la mesure du possible, un accord international sur les sujets étudiés, étant donné que les Comités nationaux de l'IEC intéressés sont représentés dans chaque comité d'études.
- 3) Les Publications de l'IEC se présentent sous la forme de recommandations internationales et sont agréées comme telles par les Comités nationaux de l'IEC. Tous les efforts raisonnables sont entrepris afin que l'IEC s'assure de l'exactitude du contenu technique de ses publications; l'IEC ne peut pas être tenue responsable de l'éventuelle mauvaise utilisation ou interprétation qui en est faite par un quelconque utilisateur final.
- 4) Dans le but d'encourager l'uniformité internationale, les Comités nationaux de l'IEC s'engagent, dans toute la mesure possible, à appliquer de façon transparente les Publications de l'IEC dans leurs publications nationales et régionales. Toutes divergences entre toutes Publications de l'IEC et toutes publications nationales ou régionales correspondantes doivent être indiquées en termes clairs dans ces dernières.
- 5) L'IEC elle-même ne fournit aucune attestation de conformité. Des organismes de certification indépendants fournissent des services d'évaluation de conformité et, dans certains secteurs, accèdent aux marques de conformité de l'IEC. L'IEC n'est responsable d'aucun des services effectués par les organismes de certification indépendants.
- 6) Tous les utilisateurs doivent s'assurer qu'ils sont en possession de la dernière édition de cette publication.
- 7) Aucune responsabilité ne doit être imputée à l'IEC, à ses administrateurs, employés, auxiliaires ou mandataires, y compris ses experts particuliers et les membres de ses comités d'études et des Comités nationaux de l'IEC, pour tout préjudice causé en cas de dommages corporels et matériels, ou de tout autre dommage de quelque nature que ce soit, directe ou indirecte, ou pour supporter les coûts (y compris les frais de justice) et les dépenses découlant de la publication ou de l'utilisation de cette Publication de l'IEC ou de toute autre Publication de l'IEC, ou au crédit qui lui est accordé.
- 8) L'attention est attirée sur les références normatives citées dans cette publication. L'utilisation de publications référencées est obligatoire pour une application correcte de la présente publication.
- 9) L'attention est attirée sur le fait que certains des éléments de la présente Publication de l'IEC peuvent faire l'objet de droits de brevet. L'IEC ne saurait être tenue pour responsable de ne pas avoir identifié de tels droits de brevets et de ne pas avoir signalé leur existence.

DÉGAGEMENT DE RESPONSABILITÉ

Cette version consolidée n'est pas une Norme IEC officielle, elle a été préparée par commodité pour l'utilisateur. Seules les versions courantes de cette norme et de son(s) amendement(s) doivent être considérées comme les documents officiels.

Cette version consolidée de l'IEC 60332-1-3 porte le numéro d'édition 1.1. Elle comprend la première édition (2004-07) [documents 20/698/FDIS et 20/712/RVD] et son amendement 1 (2015-07) [documents 20/1592/FDIS et 20/1599/RVD]. Le contenu technique est identique à celui de l'édition de base et à son amendement.

Dans cette version Redline, une ligne verticale dans la marge indique où le contenu technique est modifié par l'amendement 1. Les ajouts et les suppressions apparaissent en rouge, les suppressions étant barrées. Une version Finale avec toutes les modifications acceptées est disponible dans cette publication.

La Norme internationale IEC 60332-1-3 a été établie par le comité d'études 20 de l'IEC: Câbles électriques.

Elle a le statut d'une publication groupée de sécurité conformément au Guide IEC 104.

Cette publication a été rédigée selon les Directives ISO/IEC, Partie 2.

L'IEC 60332 comprend les parties suivantes, présentées sous le titre général *Essais des câbles électriques et à fibres optiques soumis au feu*:

- Partie 1-1: Essai de propagation verticale de la flamme sur conducteur ou câble isolé – Appareillage d'essai
- Partie 1-2: Essai de propagation verticale de la flamme sur conducteur ou câble isolé – Procédure pour flamme à prémélange de 1kW
- Partie 1-3: Essai de propagation verticale de la flamme sur conducteur ou câble isolé – Procédure pour la détermination des particules/gouttelettes enflammées
- Partie 2-1: Essai de propagation verticale de la flamme sur conducteur ou câble isolé de petite section – Appareillage d'essai
- Partie 2-2: Essai de propagation verticale de la flamme sur conducteur ou câble isolé de petite section – Procédure pour une flamme de type à diffusion

Le comité a décidé que le contenu de la publication de base et de son amendement ne sera pas modifié avant la date de stabilité indiquée sur le site web de l'IEC sous "<http://webstore.iec.ch>" dans les données relatives à la publication recherchée. A cette date, la publication sera

- reconduite,
- supprimée,
- remplacée par une édition révisée, ou
- amendée.

IMPORTANT – Le logo "*colour inside*" qui se trouve sur la page de couverture de cette publication indique qu'elle contient des couleurs qui sont considérées comme utiles à une bonne compréhension de son contenu. Les utilisateurs devraient, par conséquent, imprimer cette publication en utilisant une imprimante couleur.

ESSAIS DES CÂBLES ÉLECTRIQUES ET À FIBRES OPTIQUES SOU MIS AU FEU –

Partie 1-3: Essai de propagation verticale de la flamme sur conducteur ou câble isolé – Procédure pour la détermination des particules/gouttelettes enflammées

1 Domaine d'application

La présente partie de l'IEC 60332 spécifie une méthode d'essai pour évaluer les particules/gouttelettes enflammées tombant d'un conducteur ou câble, ou d'un câble à fibres optiques, lorsqu'il est soumis au feu dans des conditions définies.

NOTE 1 L'essai de l'IEC 60332-1-3 peut être réalisé simultanément avec celui de l'IEC 60332-1-2, si demandé.

L'Annexe A donne les recommandations pour les prescriptions de performance.

L'IEC 60332-1-3 donne des précisions sur l'emploi d'une flamme de type à prémélange de 1 kW et est destinée à un usage général. Cependant la procédure spécifiée peut ne pas convenir pour l'essai sur conducteur ou câble de section totale inférieure à 0,5 mm², car l'âme peut fondre avant la fin de l'essai, ou bien encore pour l'essai de petits câbles à fibres optiques parce que le câble est rompu avant la fin de l'essai.

2 Références normatives

Les documents référencés ci-dessous sont indispensables pour appliquer ce document. Pour les références datées, uniquement les éditions citées s'appliquent. Pour les références non datées, on applique la dernière édition de la publication à laquelle il est fait référence, (y compris les amendements).

IEC 60332-1-1, *Essais des câbles électriques et à fibres optiques soumis au feu – Partie 1-1: Essai de propagation verticale de la flamme sur conducteur ou câble isolé – Appareillage d'essai*

IEC 60811-203, Câbles électriques et à fibres optiques – Méthodes d'essai pour les matériaux non-métalliques – Partie 203: Essais généraux – Mesure des dimensions extérieures

IEC Guide 104, *Elaboration des publications de sécurité et utilisation des publications fondamentales de sécurité et publications groupées de sécurité*

~~ISO 187, Papier, carton et pâtes – Atmosphère normale de conditionnement et d'essai et méthode de surveillance de l'atmosphère et de conditionnement des échantillons~~

3 Termes et définitions

Pour les besoins du présent document, les termes et définitions suivants dont certains sont extraits de l'IEC 60695-4, s'appliquent.

3.1

source d'allumage

source d'énergie qui provoque une combustion

~~[IEC 60695-4:1993, définition 2.76~~ SOURCE: ISO 13943:2008, 1.489]

3.2

gouttelettes enflammées

matière coulant ou se séparant de l'éprouvette pendant l'essai et tombant en dessous du point d'attache inférieur de l'éprouvette en étant enflammée et en provoquant l'allumage du papier filtre situé en dessous

4 Appareillage d'essai

4.1 Généralités

L'appareillage d'essai spécifié dans l'IEC 60332-1-1 doit être utilisé.

4.2 Source d'allumage

La source d'allumage doit être conforme à ~~4.3 de~~ l'IEC 60332-1-1.

4.3 Papier filtre

Le papier filtre doit être constitué d'un papier filtre en cellulose de densité (80 ± 15) g/m² ayant un taux de cendres de moins de 0,1 %. Le papier filtre doit être conditionné ~~conformément à l'ISO 187 à (23 ± 2) °C pendant au moins 4 h à une humidité relative de (50 ± 10) %.~~

5 Procédure

5.1 Epreuve d'essai

L'éprouvette doit être un morceau de conducteur ou de câble isolé de (600 ± 25) mm de long.

~~Le diamètre de l'éprouvette d'essai doit être mesuré à l'aide de la méthode donnée dans l'IEC 60811-203. La mesure doit être effectuée à chacun des trois emplacements, séparés d'au moins 100 mm.~~

~~La moyenne des trois valeurs obtenues doit être arrondie pour obtenir le diamètre extérieur. Si, dans le calcul, le second chiffre après la virgule est supérieur ou égal à 5, augmenter le premier chiffre après la virgule d'une unité immédiatement supérieure; ainsi, par exemple, 5,75 est arrondi à 5,8. Si, dans le calcul, le second chiffre après la virgule est inférieur ou égal à 4, conserver le premier chiffre après la virgule; ainsi, par exemple, 5,74 est arrondi à 5,7.~~

~~Le diamètre extérieur obtenu doit être utilisé en vue du choix de la durée d'application de la flamme.~~

5.2 Conditionnement

Avant l'essai, toutes les éprouvettes doivent être conditionnées à (23 ± 5) °C pendant au moins 16 h à une humidité relative de (50 ± 20) %.

Dans le cas d'un conducteur ou d'un câble isolé recouvert d'une couche de peinture ou de laque, l'éprouvette doit être maintenue, avant d'effectuer le conditionnement, à la température de (60 ± 2) °C pendant 4 h.

5.3 Disposition de l'éprouvette ~~et du papier filtre~~

L'éprouvette doit être solidement fixée à deux supports horizontaux par des fils en cuivre de dimension appropriée, en position verticale au centre de l'~~écran~~ ~~enveloppe~~ métallique, comme décrit ~~en 4.2 de~~ dans l'IEC 60332-1-1, de telle sorte que la distance entre la partie inférieure du support supérieur et la partie supérieure du support inférieur soit de (550 ± 5) mm. De

plus, l'éprouvette ~~en essai~~ doit être positionnée de telle sorte que son extrémité inférieure soit à environ 50 mm de la base de l'~~écran~~ **enveloppe** (voir Figure 1).

L'axe vertical de l'éprouvette doit être disposé de façon centrale dans l'~~écran~~ **enveloppe** (c'est-à-dire à une distance de 150 mm par rapport à chaque côté et de 225 mm par rapport à l'arrière).

Deux morceaux de papier filtre $(300 \pm 10) \text{ mm} \times (300 \pm 10) \text{ mm}$ doivent être posés à plat, l'un au-dessus de l'autre sur ~~le fond plat en acier~~ **la base de l'enveloppe métallique**, moins de 3 min avant le début de l'essai. Les papiers filtres doivent être centrés, en dessous des éprouvettes.

5.4 Application de la flamme

Avertissement concernant la sécurité

Des précautions doivent être prises lors de la conduite des essais pour préserver le personnel contre:

- a) le risque de feu ou d'explosion;
- b) l'inhalation de fumées et/ou de produits toxiques, particulièrement lorsque des matériaux halogénés sont brûlés;
- c) les résidus nocifs.

5.4.1 Positionnement de la flamme

Un brûleur ~~calibré~~, tel que celui décrit ~~en 4.3 de dans~~ l'IEC 60332-1-1, doit être allumé et les débits ~~recommandés~~ de gaz et d'air ajustés **aux valeurs spécifiées**. Le brûleur doit être positionné de telle sorte que la pointe du cône bleu ~~intérieur~~ de la flamme touche la surface de l'éprouvette en un point situé à une distance de $(475 \pm 5) \text{ mm}$ du bord inférieur du support horizontal supérieur, le brûleur faisant un angle de $(45 \pm 2^\circ)$ par rapport à l'axe vertical de l'éprouvette (voir Figure 2). **La position du brûleur doit être fixe pendant toute la durée d'application de la flamme.**

Pour les câbles méplats, le point d'application de la flamme doit être situé au milieu du côté méplat du câble.

Dans le cas d'un conducteur ou d'un câble électrique isolé, si l'éprouvette devait se déplacer de façon significative pendant l'essai, de façon à entraîner un résultat non valable, cette dernière doit être maintenue en position droite par la fixation d'une charge d'environ 5 N/mm^2 de la zone du conducteur sur la partie inférieure de l'éprouvette, de telle sorte que la distance entre le point de fixation de la charge et la partie inférieure du support supérieur mesure $(550 \pm 5) \text{ mm}$. Dans de tels cas, l'éprouvette ne doit pas être fixée sur le support inférieur.

5.4.2 Durée de l'essai

La flamme doit être appliquée de façon continue pendant une durée dépendant du diamètre du câble selon le Tableau 1.

Tableau 1 – Durée d'application de la flamme

Diamètre extérieur de l'échantillon ^a mm	Durée d'application de la flamme ^b s
$D \leq 25$	60 ± 2
25 < $D \leq 50$	120 ± 2
50 < $D \leq 75$	240 ± 2
$D > 75$	480 ± 2

^a ~~Lorsque des câbles non circulaires (par exemple des constitutions de forme méplate) sont essayés, la circonférence est mesurée et est utilisée pour calculer un diamètre équivalent, comme si le câble était circulaire. Pour les câbles non circulaires dont le rapport entre le grand axe et le petit axe est inférieur à 3, la valeur nominale du petit axe doit être utilisée comme le diamètre extérieur (D). Pour les câbles non circulaires dont le rapport entre le grand axe et le petit axe se situe entre 3 et 16, le diamètre extérieur (D) doit être donné comme la somme du grand axe et du petit axe divisée par 3,14 (π). Pour les câbles dont le rapport entre le grand axe et le petit axe dépasse 16, les critères d'essai doivent être fournis dans la norme de produit ou, dans le cas contraire, faire l'objet d'un accord entre le fabricant et l'acheteur.~~

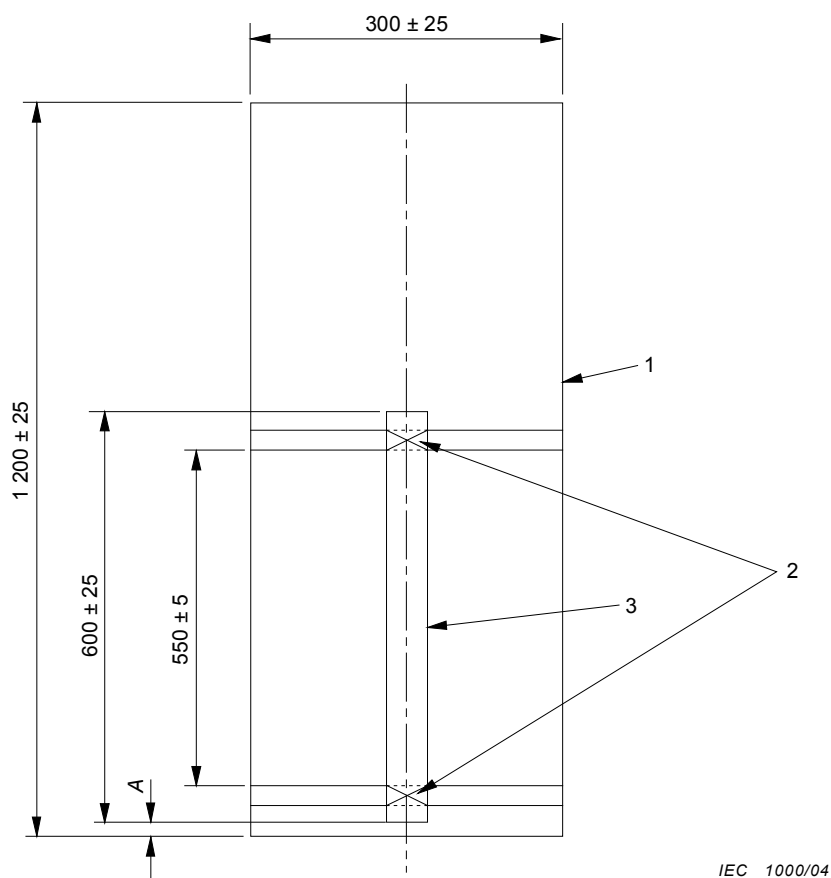
^b ~~Pour les câbles méplats dont le rapport largeur à épaisseur est plus grand que 17:1, le temps d'application de la flamme reste à l'étude.~~

~~A la fin du temps spécifié pour l'essai de la durée d'application de la flamme spécifiée, le brûleur doit être écarté et la flamme du brûleur éteinte.~~

6 Evaluation des résultats d'essai

Pendant l'essai, ce qui suit doit être noté:

- a) si le filtre s'enflamme ou non ;
- b) si le filtre s'enflamme, la durée à partir de l'allumage du papier filtre jusqu'à l'arrêt de la combustion.



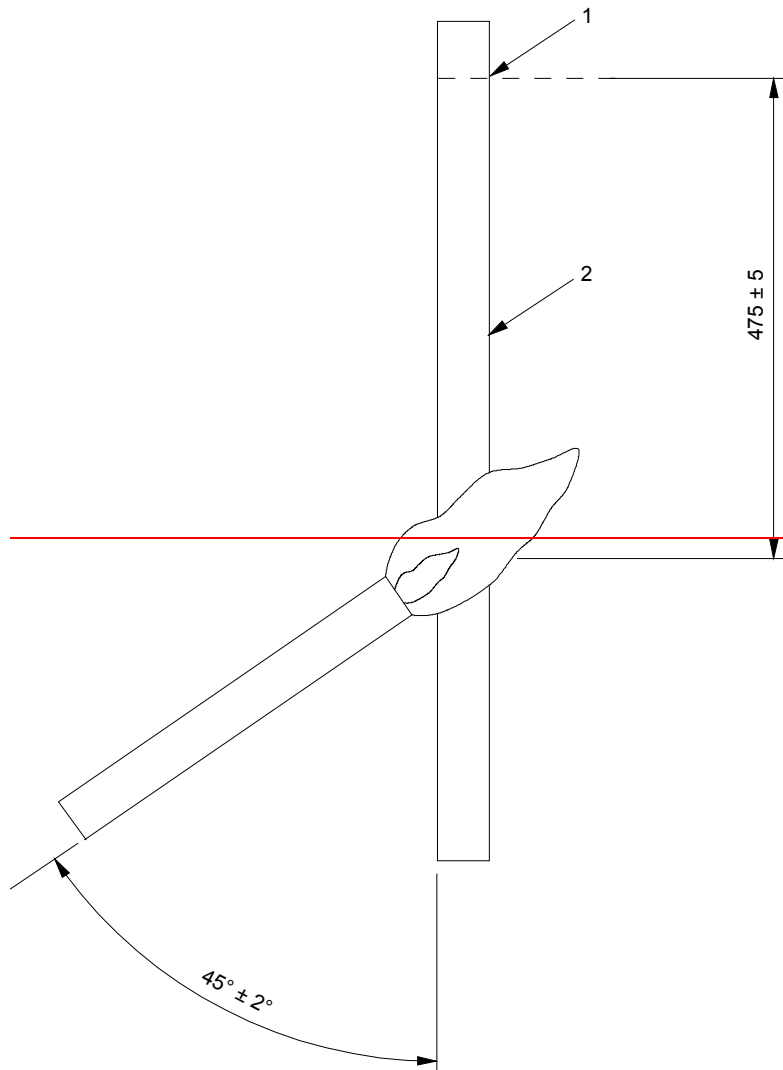
Légende

- 1 écran enveloppe métallique
- 2 bras support et fil d'attache en cuivre
- 3 éprouvette

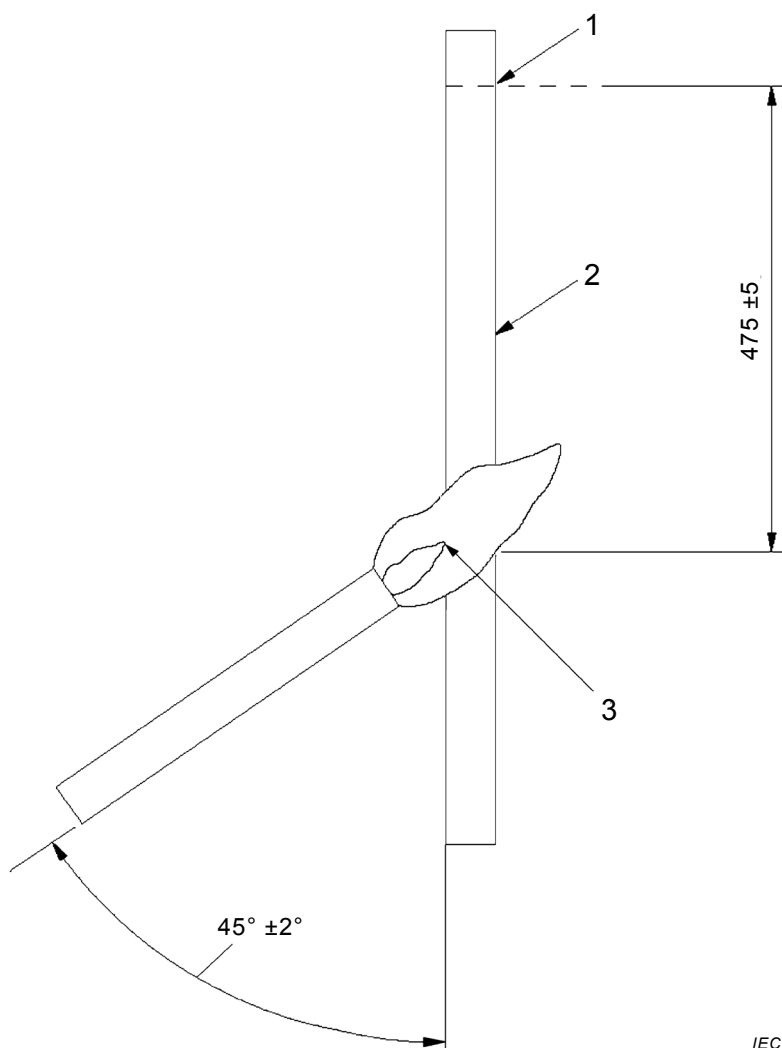
Distance A: Distance entre la base de l'écran enveloppe et le bas de l'éprouvette = 50 mm (approximativement)

Figure 1 – Position de l'éprouvette dans l'appareil d'essai

Dimensions en millimètres



Dimensions en millimètres



IEC

Légende

- 1 partie inférieure du support supérieur
- 2 éprouvette
- 3 position du point d'application du cône bleu

Figure 2 – Application de la flamme sur l'éprouvette

Annexe A (informative)

Recommandations pour les prescriptions de performance

Il est recommandé que les prescriptions de performance pour un type particulier ou une classe particulière de conducteur ou de câble isolé soient, de préférence, données dans la norme individuelle du câble. En l'absence de prescriptions, il est recommandé que celles indiquées ci-dessous soient considérées comme un niveau acceptable minimal.

Le conducteur ou le câble isolé doit être considéré comme ayant satisfait à l'essai si le papier filtre ne s'est pas allumé pendant la durée de l'essai.

Si un essai est enregistré comme non satisfaisant, deux autres essais doivent être effectués. Si les résultats de ces deux essais sont satisfaisants, le conducteur ou le câble isolé doit être considéré comme ayant satisfait à l'essai.

Bibliographie

IEC 60332-1-2, *Essais des câbles électriques et à fibres optiques soumis au feu – Partie 1-2: Essai de propagation verticale de la flamme sur conducteur ou câble isolé – Procédure pour flamme à prémélange de 1 kW*

IEC 60695-4, *Essais relatifs aux risques du feu – Partie 4: Terminologie relative aux essais au feu pour les produits électrotechniques*

ISO 13943, *Sécurité au feu – Vocabulaire*

FINAL VERSION

VERSION FINALE

GROUP SAFETY PUBLICATION
PUBLICATION GROUPEE DE SÉCURITÉ

**Tests on electric and optical fibre cables under fire conditions –
Part 1-3: Test for vertical flame propagation for a single insulated wire or cable –
Procedure for determination of flaming droplets/particles**

**Essais des câbles électriques et à fibres optiques soumis au feu –
Partie 1-3: Essai de propagation verticale de la flamme sur conducteur ou câble
isolé – Procédure pour la détermination des particules/gouttelettes enflammées**

CONTENTS

FOREWORD.....	3
1 Scope.....	5
2 Normative references.....	5
3 Terms and definitions	5
4 Test apparatus	6
4.1 General	6
4.2 Ignition source.....	6
4.3 Filter paper.....	6
5 Procedure.....	6
5.1 Sample.....	6
5.2 Conditioning	6
5.3 Positioning of test piece.....	6
5.4 Flame application	7
6 Evaluation of test results.....	8
Annex A (informative) Recommended performance requirements	11
Bibliography	12
Figure 1 – Arrangement of test piece in test apparatus	9
Figure 2 – Application of flame to test piece	10
Table 1 – Time for flame application.....	8

INTERNATIONAL ELECTROTECHNICAL COMMISSION

TESTS ON ELECTRIC AND OPTICAL FIBRE CABLES UNDER FIRE CONDITIONS –

Part 1-3: Test for vertical flame propagation for a single insulated wire or cable – Procedure for determination of flaming droplets/particles

FOREWORD

- 1) The International Electrotechnical Commission (IEC) is a worldwide organization for standardization comprising all national electrotechnical committees (IEC National Committees). The object of IEC is to promote international co-operation on all questions concerning standardization in the electrical and electronic fields. To this end and in addition to other activities, IEC publishes International Standards, Technical Specifications, Technical Reports, Publicly Available Specifications (PAS) and Guides (hereafter referred to as "IEC Publication(s)"). Their preparation is entrusted to technical committees; any IEC National Committee interested in the subject dealt with may participate in this preparatory work. International, governmental and non-governmental organizations liaising with the IEC also participate in this preparation. IEC collaborates closely with the International Organization for Standardization (ISO) in accordance with conditions determined by agreement between the two organizations.
- 2) The formal decisions or agreements of IEC on technical matters express, as nearly as possible, an international consensus of opinion on the relevant subjects since each technical committee has representation from all interested IEC National Committees.
- 3) IEC Publications have the form of recommendations for international use and are accepted by IEC National Committees in that sense. While all reasonable efforts are made to ensure that the technical content of IEC Publications is accurate, IEC cannot be held responsible for the way in which they are used or for any misinterpretation by any end user.
- 4) In order to promote international uniformity, IEC National Committees undertake to apply IEC Publications transparently to the maximum extent possible in their national and regional publications. Any divergence between any IEC Publication and the corresponding national or regional publication shall be clearly indicated in the latter.
- 5) IEC provides no marking procedure to indicate its approval and cannot be rendered responsible for any equipment declared to be in conformity with an IEC Publication.
- 6) All users should ensure that they have the latest edition of this publication.
- 7) No liability shall attach to IEC or its directors, employees, servants or agents including individual experts and members of its technical committees and IEC National Committees for any personal injury, property damage or other damage of any nature whatsoever, whether direct or indirect, or for costs (including legal fees) and expenses arising out of the publication, use of, or reliance upon, this IEC Publication or any other IEC Publications.
- 8) Attention is drawn to the Normative references cited in this publication. Use of the referenced publications is indispensable for the correct application of this publication.
- 9) Attention is drawn to the possibility that some of the elements of this IEC Publication may be the subject of patent rights. IEC shall not be held responsible for identifying any or all such patent rights.

DISCLAIMER

This Consolidated version is not an official IEC Standard and has been prepared for user convenience. Only the current versions of the standard and its amendment(s) are to be considered the official documents.

This Consolidated version of IEC 60332-1-3 bears the edition number 1.1. It consists of the first edition (2004-07) [documents 20/698/FDIS and 20/712/RVD] and its amendment 1 (2015-07) [documents 20/1592/FDIS and 20/1599/RVD]. The technical content is identical to the base edition and its amendment.

This Final version does not show where the technical content is modified by amendment 1. A separate Redline version with all changes highlighted is available in this publication.

International Standard IEC 60332-1-3 has been prepared by IEC technical committee 20:Electric cables.

It has the status of a group safety publication in accordance with IEC Guide 104.

This publication has been drafted in accordance with the ISO/IEC Directives, Part 2.

IEC 60332 consists of the following parts, under the general title *Tests on electric and optical fibre cables under fire conditions*:

Part 1-1: Test for vertical flame propagation for a single insulated wire or cable – Apparatus

Part 1-2: Test for vertical flame propagation for a single insulated wire or cable – Procedure for 1kW pre-mixed flame

Part 1-3: Test for vertical flame propagation for a single insulated wire or cable – Procedure for determination of flaming droplets/particles

Part 2-1: Test for vertical flame propagation for a single small insulated wire or cable – Apparatus

Part 2-2: Test for vertical flame propagation for a single small insulated wire or cable - Procedure for diffusion flame

The committee has decided that the contents of the base publication and its amendment will remain unchanged until the stability date indicated on the IEC web site under "<http://webstore.iec.ch>" in the data related to the specific publication. At this date, the publication will be

- reconfirmed,
- withdrawn,
- replaced by a revised edition, or
- amended.

TESTS ON ELECTRIC AND OPTICAL FIBRE CABLES UNDER FIRE CONDITIONS –

Part 1-3: Test for vertical flame propagation for a single insulated wire or cable – Procedure for determination of flaming droplets/particles

1 Scope

This part of IEC 60332 specifies a test procedure for assessment of falling flaming droplets/particles when a single vertical electrical insulated conductor or cable, or optical fibre cable, is subjected to defined fire conditions.

NOTE 1 Testing to IEC 60332-1-3 may be performed simultaneously with that to IEC 60332-1-2, if required.

Recommended requirements for performance are given in Annex A.

IEC 60332-1-3 specifies the use of a 1 kW pre-mixed flame and is for general use, except that the procedure specified may not be suitable for the testing of small single insulated conductors or cables of less than 0,5 mm² total cross-section because the conductor melts before the test is completed, or for the testing of small optical fibre cables because the cable is broken before the test is completed.

2 Normative references

The following referenced documents are indispensable for the application of this document. For dated references, only the edition cited applies. For undated references, the latest edition of the referenced document (including any amendments) applies.

IEC 60332-1-1, *Tests on electric and optical fibre cables under fire conditions – Part 1-1: Test for vertical flame propagation for a single insulated wire or cable – Apparatus*

IEC 60811-203, *Electric and optical fibre cables – Test methods for non-metallic materials – Part 203: General tests – Measurement of overall dimensions*

IEC Guide 104, *The preparation of safety publications and the use of basic safety publications and group safety publications*

3 Terms and definitions

For the purposes of this document, the following terms and definitions, apply. Some definitions are taken from IEC 60695-4.

3.1

ignition source

source of energy that initiates combustion

[SOURCE: ISO 13943:2008, 1.489]

3.2

flaming debris

matter flowing or separating from the specimen during the test procedure and falling below the initial lower edge of the specimen, continuing to flame as it falls, and igniting the filter paper beneath

4 Test apparatus

4.1 General

The apparatus specified in IEC 60332-1-1 shall be used.

4.2 Ignition source

The ignition source shall comply with IEC 60332-1-1.

4.3 Filter paper

The filter paper shall consist of undyed cellulose filter paper of a density of (80 ± 15) g/m² with an ash content of less than 0,1 %. The filter paper shall be conditioned at (23 ± 2) °C for not less than 4 h at a relative humidity of (50 ± 10) %.

5 Procedure

5.1 Sample

The test sample shall be a piece of insulated conductor or cable (600 ± 25) mm long.

The test sample diameter shall be measured using the method given in IEC 60811-203. The measurement shall be made at each of three places, separated by at least 100 mm.

The average of the three values obtained shall be rounded to obtain the overall diameter. If the calculation gives 5 or more for the second decimal figure, raise the first to the next number; thus, for example, 5,75 is rounded to 5,8. If the calculation gives 4 or less for the second decimal figure, maintain the first number; thus, for example, 5,74 is rounded to 5,7.

The overall diameter obtained shall be used for the selection of the time for flame application.

5.2 Conditioning

Before testing, all test pieces shall be conditioned at (23 ± 5) °C for not less than 16 h at a relative humidity of (50 ± 20) %.

In the case of an insulated conductor or cable with a finish of paint or lacquer, this conditioning shall follow an initial period where the test piece shall be kept at a temperature of (60 ± 2) °C for 4 h.

5.3 Positioning of test piece

The test piece shall be straightened and secured to two horizontal supports by means of a suitable size of copper wire, in a vertical position in the centre of the metal enclosure, as described in IEC 60332-1-1, so that the distance between the bottom of the upper support and the top of the lower support is (550 ± 5) mm. In addition, the test piece shall be positioned so that the bottom of the specimen is approximately 50 mm from the base of the enclosure (see Figure 1).

The vertical axis of the test piece shall be arranged centrally within the enclosure (i.e. 150 mm from each side and 225 mm from the rear).

Two pieces of filter paper (300 ± 10) mm × (300 ± 10) mm shall be placed flat, one on top of the other, on the base of the metal enclosure, no more than 3 min before the start of the test. The filter papers shall be positioned centrally beneath the test piece.

5.4 Flame application

Safety warning

Precautions shall be taken to safeguard personnel against the following when conducting tests:

- a) the risk of fire or explosion;
- b) the inhalation of smoke and/or noxious products, particularly when halogenated materials are burned;
- c) harmful residues.

5.4.1 Positioning of flame

A burner, as described in IEC 60332-1-1, shall be ignited and the flow rates of gas and air adjusted to the specified values. The burner shall be positioned so that the tip of the blue cone impinges on the surface of the test piece at a distance of (475 ± 5) mm from the lower edge of the upper horizontal support, whilst the burner is at an angle of ($45 \pm 2^\circ$) to the vertical axis of the test piece (see Figure 2). The burner position shall be fixed throughout the flame application time.

For flat-form cables, the flame impingement shall be on the middle of the flat side of the cable.

In case of an electrical insulated conductor or cable, should the test piece move significantly during the test so as to render the result invalid, the test piece shall be held straight by the attachment of a load of approximately 5 N/mm^2 of conductor area to the lower part of the sample so that the distance between the point where the load is attached and the lower edge of the top support measures (550 ± 5) mm. In such cases, the test piece shall not be secured to the lower support.

5.4.2 Test duration

The flame shall be applied continuously for the period of time corresponding to the diameter shown in Table 1.

Table 1 – Time for flame application

Overall diameter of test piece ^a mm	Time for flame application s
$D \leq 25$	60 ± 2
$25 < D \leq 50$	120 ± 2
$50 < D \leq 75$	240 ± 2
$D > 75$	480 ± 2
^a For non-circular cables in which the major to minor axis ratio is less than 3, the nominal minor axis shall be used as the overall diameter (D). For non-circular cables in which the major to minor axis ratio lies between 3 and 16, the overall diameter (D) shall be taken as the sum of the major and minor axis divided by 3,14 (π). For cables in which the major to minor axis ratio exceeds 16, the test criteria shall be given in the product standard or, if not, agreed between manufacturer and purchaser.	

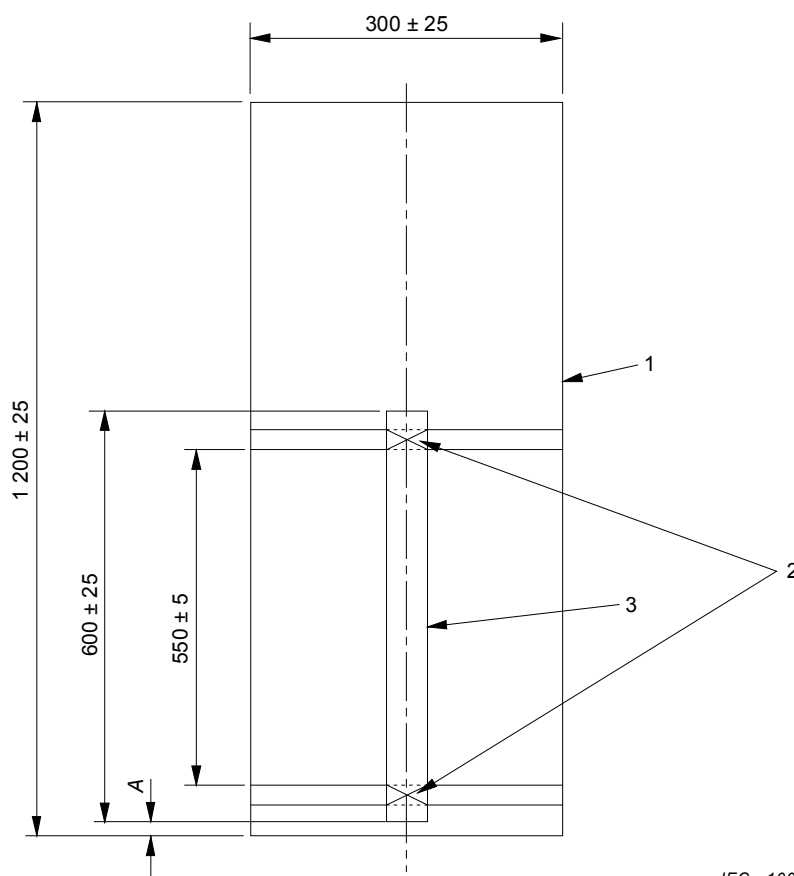
At the end of the specified flame application time, the burner shall be removed and the flame of the burner extinguished.

6 Evaluation of test results

During the test duration, it shall be recorded:

- a) if the filter paper has ignited or not;
- b) if the filter paper has ignited, the time from ignition of the filter paper to cessation of the burning.

Dimensions in millimetres



IEC 1000/04

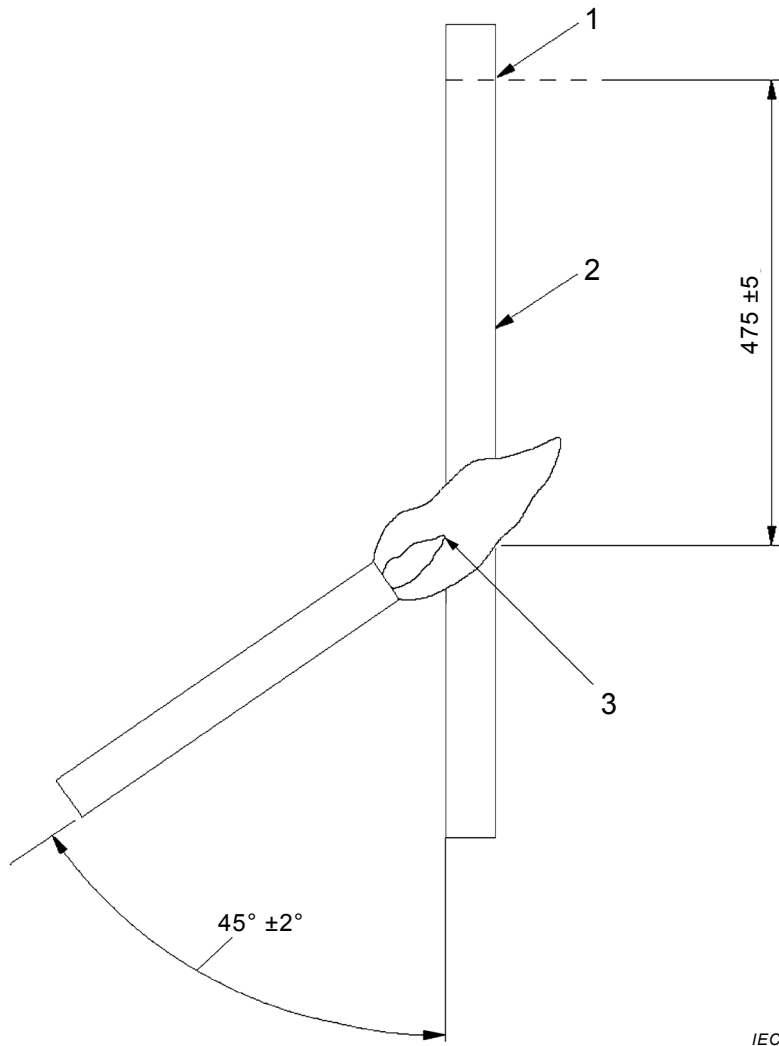
Key

- 1 metal enclosure
- 2 support arm and copper wire fixing
- 3 test piece

Distance A: Length from base of enclosure to bottom of test piece = 50 mm (approximately)

Figure 1 – Arrangement of test piece in test apparatus

Dimensions in millimetres



IEC

Key

- 1 lower edge of top support
- 2 test piece
- 3 position of impingement of blue cone

Figure 2 – Application of flame to test piece

Annex A (informative)

Recommended performance requirements

The performance requirements for a particular type or class of insulated conductor or cable should preferably be given in the individual cable standard. In the absence of any given requirement, it is recommended that those given below should be taken as a minimum acceptable level.

The insulated conductor or cable shall pass the test if the filter paper has not ignited during the test duration.

If a failure is recorded two more tests shall be carried out. If both tests result in passes, the insulated conductor or cable shall be deemed to have passed the test.

Bibliography

IEC 60332-1-2, *Tests on electric and optical fibre cables under fire conditions – Part 1-2: Test for vertical flame propagation for a single insulated wire or cable – Procedure for 1 kW pre-mixed flame*

IEC 60695-4, *Fire hazard testing – Part 4: Terminology concerning fire tests for electrotechnical products*

ISO 13943, *Fire safety – Vocabulary*

SOMMAIRE

AVANT-PROPOS	15
1 Domaine d'application	17
2 Références normatives	17
3 Termes et définitions	17
4 Appareillage d'essai	18
4.1 Généralités	18
4.2 Source d'allumage	18
4.3 Papier filtre	18
5 Procédure	18
5.1 Eprouvette d'essai	18
5.2 Conditionnement	18
5.3 Disposition de l'éprouvette	18
5.4 Application de la flamme	19
6 Evaluation des résultats d'essai	20
Annexe A (informative) Recommandations pour les prescriptions de performance	23
Bibliographie	24
Figure 1 – Position de l'éprouvette dans l'appareil d'essai	21
Figure 2 – Application de la flamme sur l'éprouvette	22
Tableau 1 – Durée d'application de la flamme	20

COMMISSION ÉLECTROTECHNIQUE INTERNATIONALE

**ESSAIS DES CÂBLES ÉLECTRIQUES ET À FIBRES OPTIQUES
SOU MIS AU FEU –**

**Partie 1-3: Essai de propagation verticale de la flamme
sur conducteur ou câble isolé –
Procédure pour la détermination des particules/gouttelettes enflammées**

AVANT-PROPOS

- 1) La Commission Electrotechnique Internationale (IEC) est une organisation mondiale de normalisation composée de l'ensemble des comités électrotechniques nationaux (Comités nationaux de l'IEC). L'IEC a pour objet de favoriser la coopération internationale pour toutes les questions de normalisation dans les domaines de l'électricité et de l'électronique. A cet effet, l'IEC – entre autres activités – publie des Normes internationales, des Spécifications techniques, des Rapports techniques, des Spécifications accessibles au public (PAS) et des Guides (ci-après dénommés "Publication(s) de l'IEC"). Leur élaboration est confiée à des comités d'études, aux travaux desquels tout Comité national intéressé par le sujet traité peut participer. Les organisations internationales, gouvernementales et non gouvernementales, en liaison avec l'IEC, participent également aux travaux. L'IEC collabore étroitement avec l'Organisation Internationale de Normalisation (ISO), selon des conditions fixées par accord entre les deux organisations.
- 2) Les décisions ou accords officiels de l'IEC concernant les questions techniques représentent, dans la mesure du possible, un accord international sur les sujets étudiés, étant donné que les Comités nationaux de l'IEC intéressés sont représentés dans chaque comité d'études.
- 3) Les Publications de l'IEC se présentent sous la forme de recommandations internationales et sont agréées comme telles par les Comités nationaux de l'IEC. Tous les efforts raisonnables sont entrepris afin que l'IEC s'assure de l'exactitude du contenu technique de ses publications; l'IEC ne peut pas être tenue responsable de l'éventuelle mauvaise utilisation ou interprétation qui en est faite par un quelconque utilisateur final.
- 4) Dans le but d'encourager l'uniformité internationale, les Comités nationaux de l'IEC s'engagent, dans toute la mesure possible, à appliquer de façon transparente les Publications de l'IEC dans leurs publications nationales et régionales. Toutes divergences entre toutes Publications de l'IEC et toutes publications nationales ou régionales correspondantes doivent être indiquées en termes clairs dans ces dernières.
- 5) L'IEC elle-même ne fournit aucune attestation de conformité. Des organismes de certification indépendants fournissent des services d'évaluation de conformité et, dans certains secteurs, accèdent aux marques de conformité de l'IEC. L'IEC n'est responsable d'aucun des services effectués par les organismes de certification indépendants.
- 6) Tous les utilisateurs doivent s'assurer qu'ils sont en possession de la dernière édition de cette publication.
- 7) Aucune responsabilité ne doit être imputée à l'IEC, à ses administrateurs, employés, auxiliaires ou mandataires, y compris ses experts particuliers et les membres de ses comités d'études et des Comités nationaux de l'IEC, pour tout préjudice causé en cas de dommages corporels et matériels, ou de tout autre dommage de quelque nature que ce soit, directe ou indirecte, ou pour supporter les coûts (y compris les frais de justice) et les dépenses découlant de la publication ou de l'utilisation de cette Publication de l'IEC ou de toute autre Publication de l'IEC, ou au crédit qui lui est accordé.
- 8) L'attention est attirée sur les références normatives citées dans cette publication. L'utilisation de publications référencées est obligatoire pour une application correcte de la présente publication.
- 9) L'attention est attirée sur le fait que certains des éléments de la présente Publication de l'IEC peuvent faire l'objet de droits de brevet. L'IEC ne saurait être tenue pour responsable de ne pas avoir identifié de tels droits de brevets et de ne pas avoir signalé leur existence.

DÉGAGEMENT DE RESPONSABILITÉ

Cette version consolidée n'est pas une Norme IEC officielle, elle a été préparée par commodité pour l'utilisateur. Seules les versions courantes de cette norme et de son(s) amendement(s) doivent être considérées comme les documents officiels.

Cette version consolidée de l'IEC 60332-1-3 porte le numéro d'édition 1.1. Elle comprend la première édition (2004-07) [documents 20/698/FDIS et 20/712/RVD] et son amendement 1 (2015-07) [documents 20/1592/FDIS et 20/1599/RVD]. Le contenu technique est identique à celui de l'édition de base et à son amendement.

Cette version Finale ne montre pas les modifications apportées au contenu technique par l'amendement 1. Une version Redline montrant toutes les modifications est disponible dans cette publication.

La Norme internationale IEC 60332-1-3 a été établie par le comité d'études 20 de l'IEC: Câbles électriques.

Elle a le statut d'une publication groupée de sécurité conformément au Guide IEC 104.

Cette publication a été rédigée selon les Directives ISO/IEC, Partie 2.

L'IEC 60332 comprend les parties suivantes, présentées sous le titre général *Essais des câbles électriques et à fibres optiques soumis au feu*:

- Partie 1-1: Essai de propagation verticale de la flamme sur conducteur ou câble isolé – Appareillage d'essai
- Partie 1-2: Essai de propagation verticale de la flamme sur conducteur ou câble isolé – Procédure pour flamme à prémélange de 1kW
- Partie 1-3: Essai de propagation verticale de la flamme sur conducteur ou câble isolé – Procédure pour la détermination des particules/gouttelettes enflammées
- Partie 2-1: Essai de propagation verticale de la flamme sur conducteur ou câble isolé de petite section – Appareillage d'essai
- Partie 2-2: Essai de propagation verticale de la flamme sur conducteur ou câble isolé de petite section – Procédure pour une flamme de type à diffusion

Le comité a décidé que le contenu de la publication de base et de son amendement ne sera pas modifié avant la date de stabilité indiquée sur le site web de l'IEC sous "<http://webstore.iec.ch>" dans les données relatives à la publication recherchée. A cette date, la publication sera

- reconduite,
- supprimée,
- remplacée par une édition révisée, ou
- amendée.

ESSAIS DES CÂBLES ÉLECTRIQUES ET À FIBRES OPTIQUES SOU MIS AU FEU –

Partie 1-3: Essai de propagation verticale de la flamme sur conducteur ou câble isolé – Procédure pour la détermination des particules/gouttelettes enflammées

1 Domaine d'application

La présente partie de l'IEC 60332 spécifie une méthode d'essai pour évaluer les particules/gouttelettes enflammées tombant d'un conducteur ou câble, ou d'un câble à fibres optiques, lorsqu'il est soumis au feu dans des conditions définies.

NOTE 1 L'essai de l'IEC 60332-1-3 peut être réalisé simultanément avec celui de l'IEC 60332-1-2, si demandé.

L'Annexe A donne les recommandations pour les prescriptions de performance.

L'IEC 60332-1-3 donne des précisions sur l'emploi d'une flamme de type à prémélange de 1 kW et est destinée à un usage général. Cependant la procédure spécifiée peut ne pas convenir pour l'essai sur conducteur ou câble de section totale inférieure à 0,5 mm², car l'âme peut fondre avant la fin de l'essai, ou bien encore pour l'essai de petits câbles à fibres optiques parce que le câble est rompu avant la fin de l'essai.

2 Références normatives

Les documents référencés ci-dessous sont indispensables pour appliquer ce document. Pour les références datées, uniquement les éditions citées s'appliquent. Pour les références non datées, on applique la dernière édition de la publication à laquelle il est fait référence, (y compris les amendements).

IEC 60332-1-1, *Essais des câbles électriques et à fibres optiques soumis au feu – Partie 1-1: Essai de propagation verticale de la flamme sur conducteur ou câble isolé – Appareillage d'essai*

IEC 60811-203, *Câbles électriques et à fibres optiques – Méthodes d'essai pour les matériaux non-métalliques – Partie 203: Essais généraux – Mesure des dimensions extérieures*

IEC Guide 104, *Elaboration des publications de sécurité et utilisation des publications fondamentales de sécurité et publications groupées de sécurité*

3 Termes et définitions

Pour les besoins du présent document, les termes et définitions suivants dont certains sont extraits de l'IEC 60695-4, s'appliquent.

3.1

source d'allumage

source d'énergie qui provoque une combustion

[SOURCE: ISO 13943:2008, 1.489]

3.2

gouttelettes enflammées

matière coulant ou se séparant de l'éprouvette pendant l'essai et tombant en dessous du point d'attache inférieur de l'éprouvette en étant enflammée et en provoquant l'allumage du papier filtre situé en dessous

4 Appareillage d'essai

4.1 Généralités

L'appareillage d'essai spécifié dans l'IEC 60332-1-1 doit être utilisé.

4.2 Source d'allumage

La source d'allumage doit être conforme à l'IEC 60332-1-1.

4.3 Papier filtre

Le papier filtre doit être constitué d'un papier filtre en cellulose de densité (80 ± 15) g/m² ayant un taux de cendres de moins de 0,1 %. Le papier filtre doit être conditionné à (23 ± 2) °C pendant au moins 4 h à une humidité relative de (50 ± 10) %.

5 Procédure

5.1 Epreuve d'essai

L'éprouvette doit être un morceau de conducteur ou de câble isolé de (600 ± 25) mm de long.

Le diamètre de l'éprouvette d'essai doit être mesuré à l'aide de la méthode donnée dans l'IEC 60811-203. La mesure doit être effectuée à chacun des trois emplacements, séparés d'au moins 100 mm.

La moyenne des trois valeurs obtenues doit être arrondie pour obtenir le diamètre extérieur. Si, dans le calcul, le second chiffre après la virgule est supérieur ou égal à 5, augmenter le premier chiffre après la virgule d'une unité immédiatement supérieure; ainsi, par exemple, 5,75 est arrondi à 5,8. Si, dans le calcul, le second chiffre après la virgule est inférieur ou égal à 4, conserver le premier chiffre après la virgule; ainsi, par exemple, 5,74 est arrondi à 5,7.

Le diamètre extérieur obtenu doit être utilisé en vue du choix de la durée d'application de la flamme.

5.2 Conditionnement

Avant l'essai, toutes les éprouvettes doivent être conditionnées à (23 ± 5) °C pendant au moins 16 h à une humidité relative de (50 ± 20) %.

Dans le cas d'un conducteur ou d'un câble isolé recouvert d'une couche de peinture ou de laque, l'éprouvette doit être maintenue, avant d'effectuer le conditionnement, à la température de (60 ± 2) °C pendant 4 h.

5.3 Disposition de l'éprouvette

L'éprouvette doit être solidement fixée à deux supports horizontaux par des fils en cuivre de dimension appropriée, en position verticale au centre de l'enveloppe métallique, comme décrit dans l'IEC 60332-1-1, de telle sorte que la distance entre la partie inférieure du support supérieur et la partie supérieure du support inférieur soit de (550 ± 5) mm. De plus,

l'éprouvette doit être positionnée de telle sorte que son extrémité inférieure soit à environ 50 mm de la base de l'enveloppe (voir Figure 1).

L'axe vertical de l'éprouvette doit être disposé de façon centrale dans l'enveloppe (c'est-à-dire à une distance de 150 mm par rapport à chaque côté et de 225 mm par rapport à l'arrière).

Deux morceaux de papier filtre (300 ± 10) mm \times (300 ± 10) mm doivent être posés à plat, l'un au-dessus de l'autre sur la base de l'enveloppe métallique, moins de 3 min avant le début de l'essai. Les papiers filtres doivent être centrés, en dessous des éprouvettes.

5.4 Application de la flamme

Avertissement concernant la sécurité

Des précautions doivent être prises lors de la conduite des essais pour préserver le personnel contre:

- a) le risque de feu ou d'explosion;
- b) l'inhalation de fumées et/ou de produits toxiques, particulièrement lorsque des matériaux halogénés sont brûlés;
- c) les résidus nocifs.

5.4.1 Positionnement de la flamme

Un brûleur, tel que celui décrit dans l'IEC 60332-1-1, doit être allumé et les débits de gaz et d'air ajustés aux valeurs spécifiées. Le brûleur doit être positionné de telle sorte que la pointe du cône bleu de la flamme touche la surface de l'éprouvette en un point situé à une distance de (475 ± 5) mm du bord inférieur du support horizontal supérieur, le brûleur faisant un angle de ($45 \pm 2^\circ$) par rapport à l'axe vertical de l'éprouvette (voir Figure 2). La position du brûleur doit être fixe pendant toute la durée d'application de la flamme.

Pour les câbles méplats, le point d'application de la flamme doit être situé au milieu du côté méplat du câble.

Dans le cas d'un conducteur ou d'un câble électrique isolé, si l'éprouvette devait se déplacer de façon significative pendant l'essai, de façon à entraîner un résultat non valable, cette dernière doit être maintenue en position droite par la fixation d'une charge d'environ 5 N/mm^2 de la zone du conducteur sur la partie inférieure de l'éprouvette, de telle sorte que la distance entre le point de fixation de la charge et la partie inférieure du support supérieur mesure (550 ± 5) mm. Dans de tels cas, l'éprouvette ne doit pas être fixée sur le support inférieur.

5.4.2 Durée de l'essai

La flamme doit être appliquée de façon continue pendant une durée dépendant du diamètre du câble selon le Tableau 1.

Tableau 1 – Durée d'application de la flamme

Diamètre extérieur de l'échantillon ^a mm	Durée d'application de la flamme s
$D \leq 25$	60 ± 2
25 < $D \leq 50$	120 ± 2
50 < $D \leq 75$	240 ± 2
$D > 75$	480 ± 2

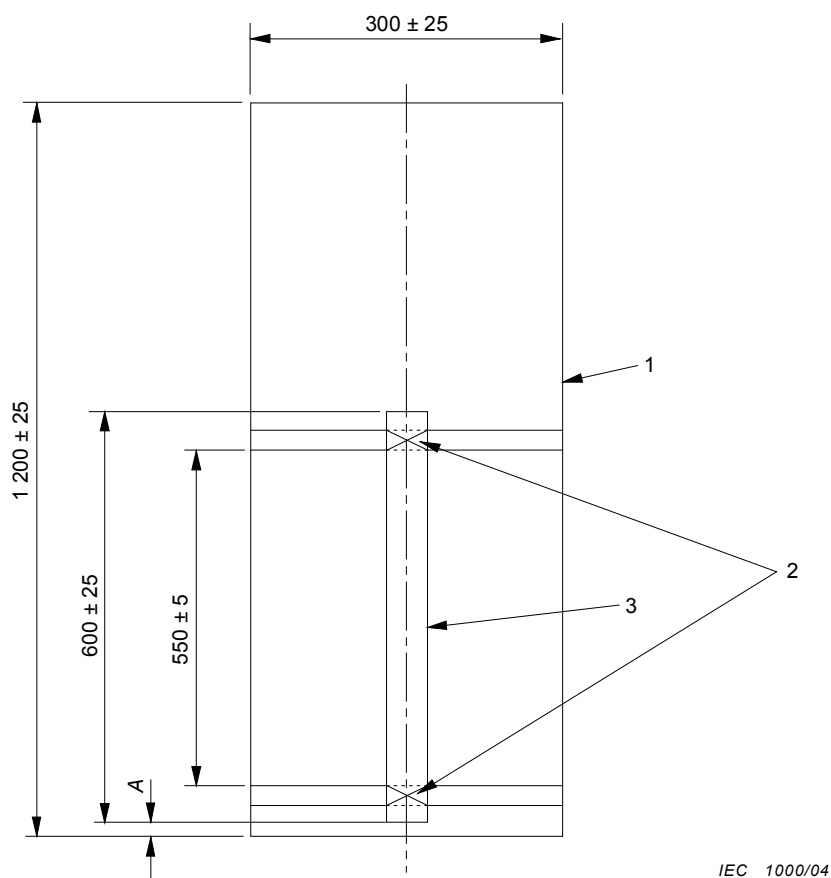
^A Pour les câbles non circulaires dont le rapport entre le grand axe et le petit axe est inférieur à 3, la valeur nominale du petit axe doit être utilisée comme le diamètre extérieur (D). Pour les câbles non circulaires dont le rapport entre le grand axe et le petit axe se situe entre 3 et 16, le diamètre extérieur (D) doit être donné comme la somme du grand axe et du petit axe divisée par 3,14 (π). Pour les câbles dont le rapport entre le grand axe et le petit axe dépasse 16, les critères d'essai doivent être fournis dans la norme de produit ou, dans le cas contraire, faire l'objet d'un accord entre le fabricant et l'acheteur.

A la fin de la durée d'application de la flamme spécifiée, le brûleur doit être écarté et la flamme du brûleur éteinte.

6 Evaluation des résultats d'essai

Pendant l'essai, ce qui suit doit être noté:

- a) si le filtre s'enflamme ou non ;
- b) si le filtre s'enflamme, la durée à partir de l'allumage du papier filtre jusqu'à l'arrêt de la combustion.



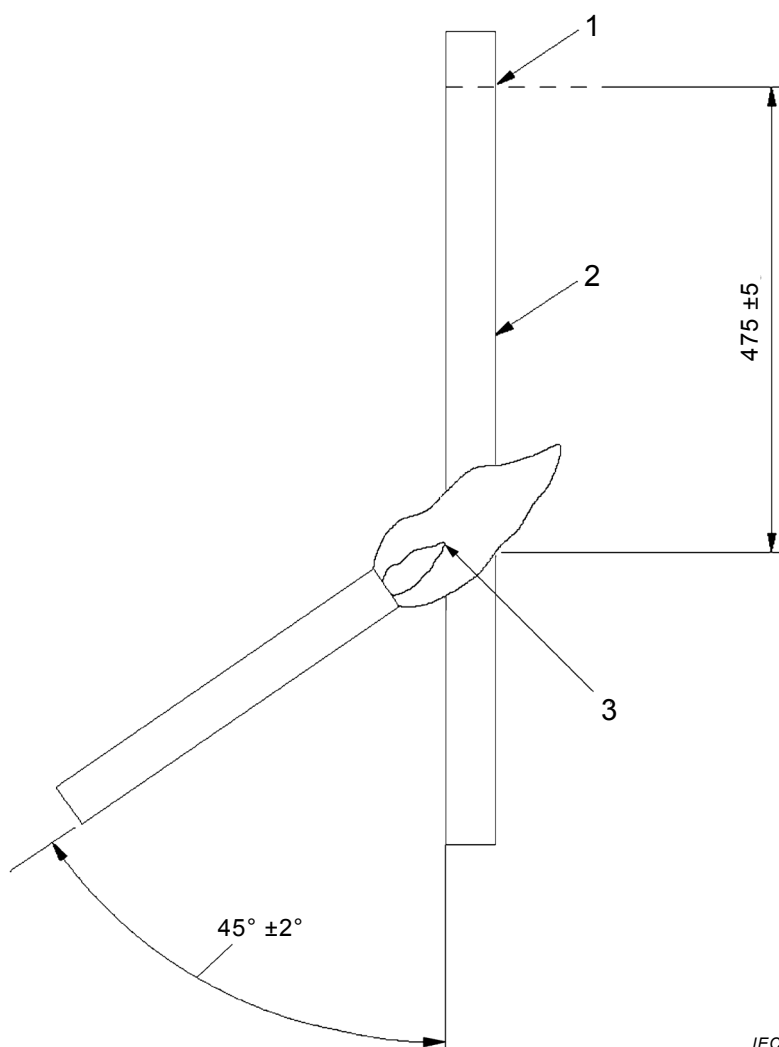
Légende

- 1 enveloppe métallique
- 2 bras support et fil d'attache en cuivre
- 3 éprouvette

Distance A: Distance entre la base de l'enveloppe et le bas de l'éprouvette = 50 mm (approximativement)

Figure 1 – Position de l'éprouvette dans l'appareil d'essai

Dimensions en millimètres



IEC

Légende

- 1 partie inférieure du support supérieur
- 2 éprouvette
- 3 position du point d'application du cône bleu

Figure 2 – Application de la flamme sur l'éprouvette

Annexe A (informative)

Recommandations pour les prescriptions de performance

Il est recommandé que les prescriptions de performance pour un type particulier ou une classe particulière de conducteur ou de câble isolé soient, de préférence, données dans la norme individuelle du câble. En l'absence de prescriptions, il est recommandé que celles indiquées ci-dessous soient considérées comme un niveau acceptable minimal.

Le conducteur ou le câble isolé doit être considéré comme ayant satisfait à l'essai si le papier filtre ne s'est pas allumé pendant la durée de l'essai.

Si un essai est enregistré comme non satisfaisant, deux autres essais doivent être effectués. Si les résultats de ces deux essais sont satisfaisants, le conducteur ou le câble isolé doit être considéré comme ayant satisfait à l'essai.

Bibliographie

IEC 60332-1-2, *Essais des câbles électriques et à fibres optiques soumis au feu – Partie 1-2: Essai de propagation verticale de la flamme sur conducteur ou câble isolé – Procédure pour flamme à prémélange de 1 kW*

IEC 60695-4, *Essais relatifs aux risques du feu – Partie 4: Terminologie relative aux essais au feu pour les produits électrotechniques*

ISO 13943, *Sécurité au feu – Vocabulaire*

INTERNATIONAL
ELECTROTECHNICAL
COMMISSION

3, rue de Varembé
PO Box 131
CH-1211 Geneva 20
Switzerland

Tel: + 41 22 919 02 11
Fax: + 41 22 919 03 00
info@iec.ch
www.iec.ch